

PRODUCT RELEASE BULLETIN

EFFECTIVE DATE
 October 1, 2016

CIRCUIT BREAKER BOX OPTION FOR OIL & GAS FORCED CIRCULATION SYSTEMS

OVERVIEW

APPLICABLE EQUIPMENT

The following forced circulation heating system models developed for the Oil & Gas market:

OSR	OLE
OSE/OSX	CLE
CSE	OCLE

BULLETIN SCOPE

Notification of product offering.

BACKGROUND

A pre-assembled circuit breaker box is now available from HOTSTART for use with the forced circulation heating systems currently specified for Oil & Gas applications.

APPLICATION

The circuit breaker box component is designed to provide a power disconnection point and overcurrent protection for heating systems with the following classifications:

- Class: I, Div 1 & 2, Group D

SPECIFICATIONS

ENCLOSURE

- Ingress Protection: NEMA4
- Certifications: UL-listed, CSA
- Lockout/tagout operating handle
- Power wiring entrance: 1.25" NPT
- Wiring entrance: 0.5" NPT

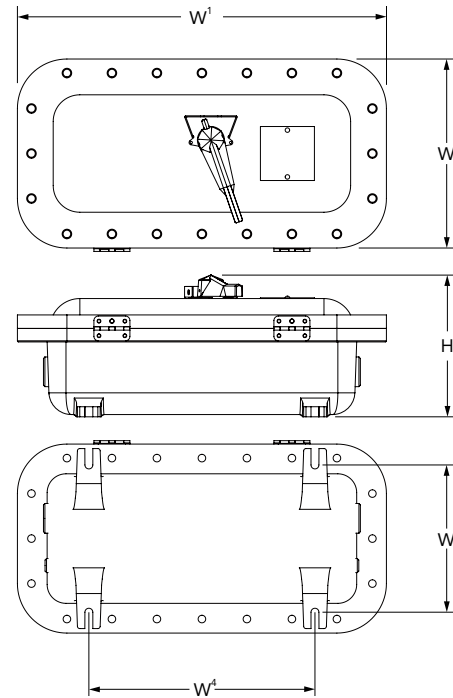


Figure 1. HOTSTART circuit breaker box for Oil & Gas applications (above) and dimensions (below).

HEIGHT (H)	WIDTH 1 (W1)	WIDTH 2 (W2)
7.87"	20.5"	10.5"
230mm	152mm	161mm

WIDTH 3 (W3)	WIDTH 4 (W4)	WEIGHT
8.18"	12.56"	45lbs.
207.8mm	319mm	20.4kg

CIRCUIT BREAKER

- Type: 3-pole, fixed thermal-magnetic trip
- Voltage and amperage options:
 Max. Volts: 480 VAC, 600 VAC
 Max. Amps: 20A, 40A, 50A, 70A, 110A, 125A

ORDERING & SPECIFICATION

NEW SYSTEMS

Reference the following tables for the corresponding breaker box components for common Oil & Gas heating systems. Not all offered heating systems or variants are listed. Component recommendations will be superseded by any applicable national, state and local codes.

OIL ONLY

HEATING SYSTEM	BREAKER BOX		
	VOLTS	AMPS	PART NO.
OSE30154-110	480	20	BB0204-0
OSE30154-210	480	20	BB0204-0
OSE30254-110	480	20	BB0204-0
OSE30254-220	480	20	BB0204-0
OLE10252-210	480	40	BB0404-0
OLE10252-320	480	40	BB0404-0
OLE30254-210	480	20	BB0204-0
OLE30254-520	480	20	BB0204-0
OLE30254-530	480	20	BB0204-0
OLE30254-620	480	20	BB0204-0
OLE30604-220	480	20	BB0204-0
OLE30604-540	480	20	BB0204-0
OLE30604-620	480	20	BB0204-0
OLE30604-630	480	20	BB0204-0
OLE30604-640	480	20	BB0204-0
OLE30904-630	480	20	BB0204-0
OLE30904-640	480	20	BB0204-0

COOLANT ONLY

HEATING SYSTEM	BREAKER BOX		
	VOLTS	AMPS	PART NO.
CSE30304-00	480	20	BB0204-0
CSE30604-00	480	20	BB0204-0
CSE30904-00	480	20	BB0204-0
CSE31204-00	480	20	BB0204-0
CLE11102-30	480	70	BB0704-0
CLE30604-30	480	20	BB0204-0
CLE31204-30	480	40	BB0404-0
CLE31804-30	480	40	BB0404-0
CLE33004-30	480	50	BB0504-0
CLE34804-40	480	110	BB1104-0
CLE36004-40	480	110	BB1104-0
CLE37204-40	480	125	BB1254-0

DUAL FLUID

HEATING SYSTEM	BREAKER BOX		
	VOLTS	AMPS	PART NO.
OCLE1110-0602-3220	480	110	BB1104-0
OCLE3060-0254-3210	480	20	BB0204-0
OCLE3180-0604-3220	480	50	BB0504-0
OCLE3180-0604-3620	480	70	BB0504-0
OCLE3240-0604-3220	480	70	BB0504-0
OCLE3240-0904-3430	480	70	BB0704-0
OCLE3300-0904-3430	480	70	BB0704-0
OCLE3300-0904-3630	480	70	BB0704-0
OCLE3360-1204-3640	480	110	BB1104-0

EXISTING SYSTEMS

To retrofit an existing heating system, specify the corresponding breaker box referencing the system amperage and voltage indicated on the model identification label.

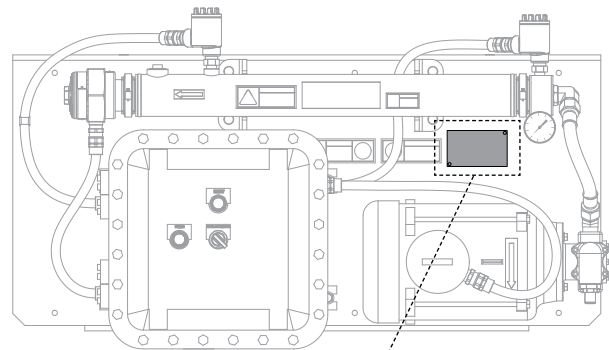


Figure 2. OLE model heating system, showing model identification label.

HOTSTART SPOKANE, WA U.S.A. REF. SERIAL NUMBER WHEN ORDERING REPLACEMENT PARTS

MODEL _____
 VOLTS _____ HERTZ _____
 AMPS _____ PHASE _____
 CONTROL CIRCUIT VOLTS _____
 CONTROL CIRCUIT AMPS, _____ MAX _____
 SERIAL NUMBER _____

U.S. PATENTS 4,265,951; 4,248,491
CAN. PATENTS 1,087,473; 1,082,541

CAUTION
OPEN CIRCUITS BEFORE WORKING ON THE EQUIPMENT OR REMOVING COVERS.
KEEP COVERS TIGHTLY CLOSED WHILE CIRCUITS ARE ALIVE.

FOR MORE INFORMATION

To place an order or for further questions, contact the HOTSTART Oil & Gas Office at **281.600.3700** or oil.gas@hotstart.com.

Corporate & Manufacturing Headquarters
 5723 E. Alki Ave
 Spokane, WA 99212 USA
509.536.8660
sales@hotstart.com

Oil & Gas Office
 21732 Provincial Blvd.
 Suite 170
 Katy, TX 77450 USA
281.600.3700
oil.gas@hotstart.com

Europe Office
 HOTSTART GmbH
 Am Turm 86
 53721 Siegburg, Germany
+49.2241.12734.0
europe@hotstart.com

Asia Pacific Office
 HOTSTART Asia Pacific Ltd.
 2-27-15-4F Honkomagome
 Bunkyo-ku, Tokyo
 113-0021, Japan
+81.3.6902.0551
apac@hotstart.com